

TOTAL SOLUTIONS™

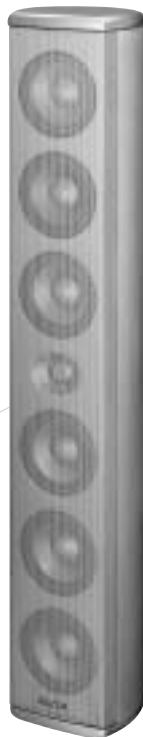
TSS-4000



TOTAL SPEAKER SOLUTIONS

TSS-SAT4000

Owner's Guide



TSS-SAT4000 OWNER'S GUIDE

Table of Contents

3	Introduction
4	Planning Your System
4	Placement
5	Installation
5	Tabletop/Shelf Placement Assembly
8	Wall-Mounting the TSS-SAT4000 Using the Included Wall Bracket
9	Wiring the Speaker
10	Specifications

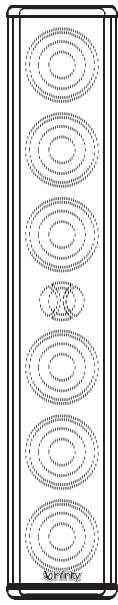
INTRODUCTION

Infinity Total Solutions™

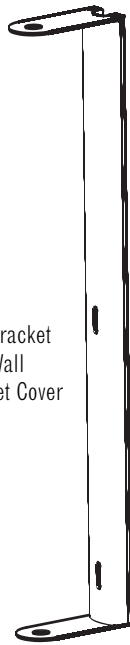
Infinity Total Solutions continues Infinity's longstanding commitment to accurate sound reproduction. Our proprietary Metal Matrix Diaphragm™ (MMD®) drivers, precision dividing networks and rigid, well-braced enclosures combine to deliver uncompromised performance in any stereo or multichannel home theater system. In addition, these speakers are magnetically shielded for safe placement adjacent to a television.

Unpacking the Speaker

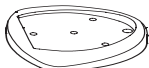
Carefully unpack the speaker. If you suspect damage from transit, report it immediately to your dealer and/or delivery service. Keep the shipping carton and packing materials for future use. Open the package and verify the following contents:



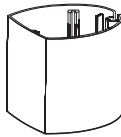
(1) Satellite Speaker



(1) Wall Bracket With Wall Bracket Cover



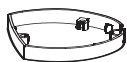
(1) Table Stand Plate



(1) Medium Collar



(1) Bottom Foot



(1) Small Collar



(1) Large Collar



Part A



Part B

(2) Wall-Mount End Caps (attached to satellite)



(1) Flat-Head Phillips Screw 1/4-20 x 1-1/4"



(1) Pan-Head Phillips Screw 1/4-20 x 3/4"



(6) Flat-Head Phillips Screws 1/4-20 x 7/8"



(2) Pan-Head Phillips Screws 1/4-20 x 1"



(3) 1/4-20 Flat Washers



(3) 1/4-20 Nuts



(1) Allen Wrench

PLANNING YOUR SYSTEM

Before deciding where to best place your speakers, survey your room and study Figures 1 and 2.

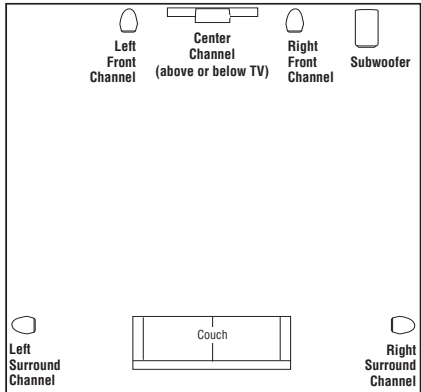


Figure 1. In this overhead view of a typical 5-channel installation, satellite speakers are used to reproduce sound for the front and surround channels. The center channel reproduces sound and dialogue. The powered subwoofer provides bass for effects and music.

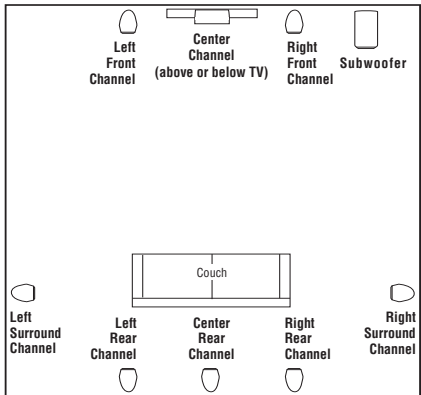


Figure 2. This overhead view shows a typical home theater plan. Left/right rear channels are for a 7-channel system. Center rear channel is for a 6-channel system.

PLACEMENT

NOTE: The satellite speakers can be placed directly on a shelf using one of the three included shelf stands, or mounted on a wall using the included wall brackets. Optional floor stands and in-wall recess kits are also available. Please contact your dealer.

Left and Right Front Channels

For left and right front channels, place one satellite to the left and another to the right of the television, as shown in Figure 1. Since the speakers are magnetically shielded, you can place them very close to the TV without worrying about the magnetic field distorting the picture.

Surround Channels

For left and right surround channels, place one speaker on the left and another on the right, to the side of or slightly behind the listening area. The surround speakers should be mounted at a height of between 4 feet and 7 feet.

In 6- or 7-channel configurations, place the rear channel(s) behind the listening position, as shown in Figure 2.

INSTALLATION

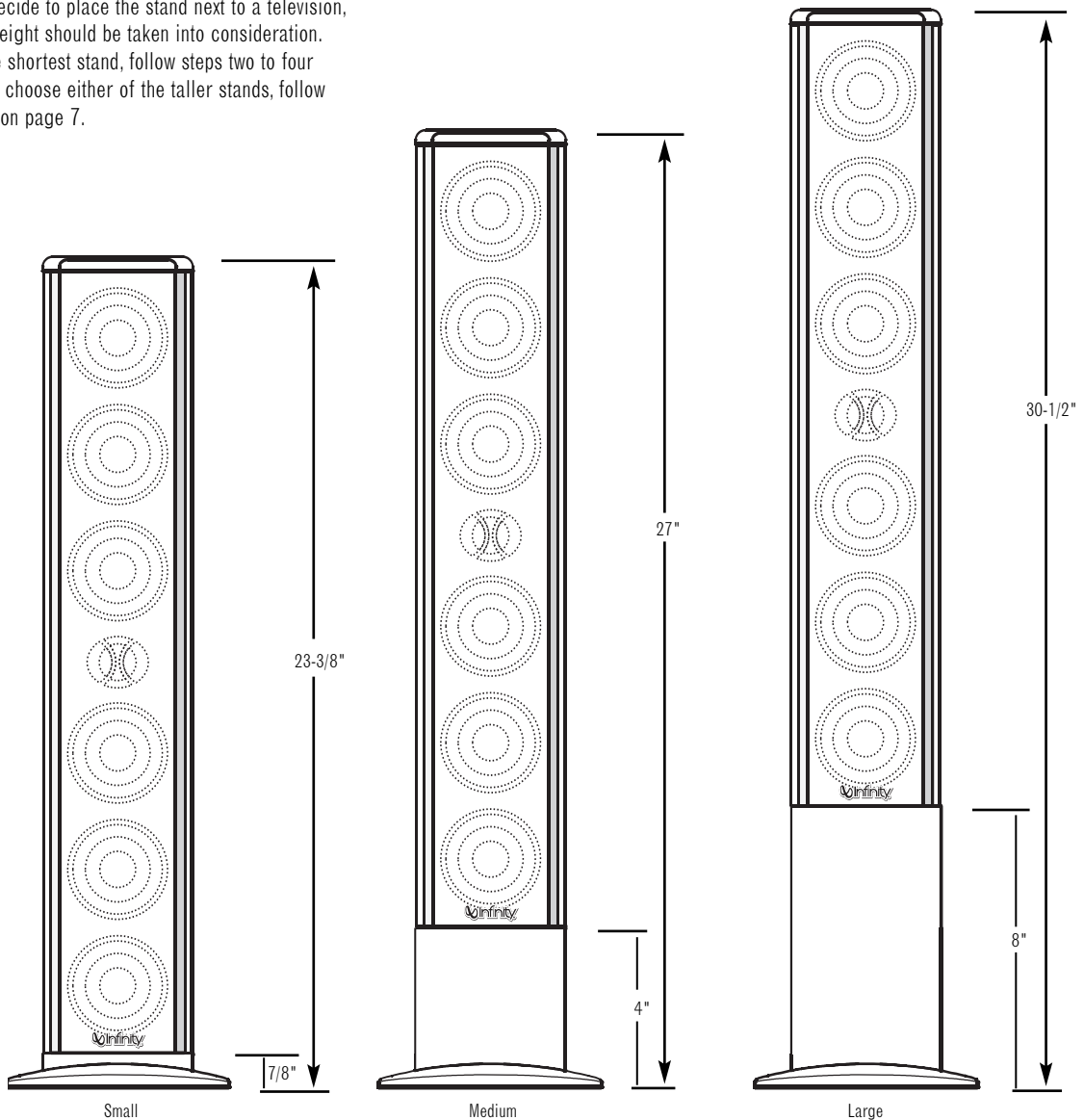
Please read through this owner's guide completely before attempting to install or connect the speakers. We understand that you may be anxious to play your new system, so we have made every effort to simplify the installation and connections of the TSS-SAT4000.

Before proceeding, you should decide how you would like to install the TSS-SAT4000. The TSS-SAT4000 may be mounted on the included shelf stands; mounted on the wall using the included wall brackets; recessed in the wall using an optional flush-mount kit; or mounted to our optional floor stands.

Tabletop/Shelf Placement Assembly

Step One

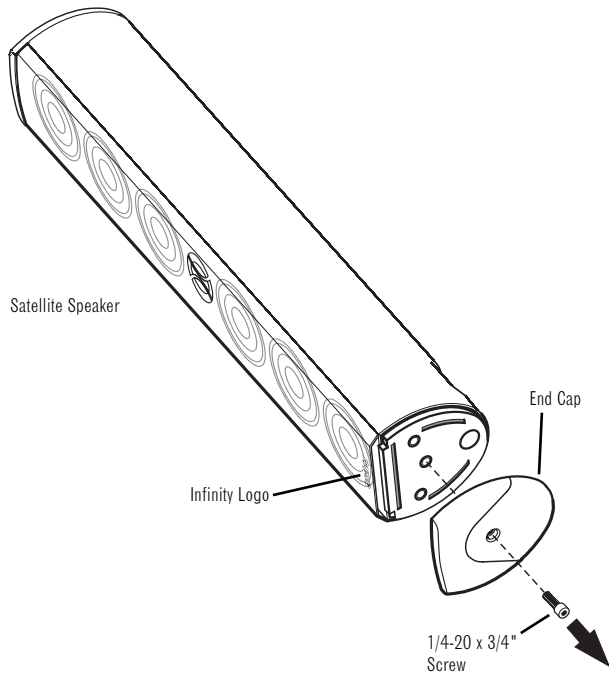
Choose one of the three shelf stands on which to mount the satellite. If you decide to place the stand next to a television, the television's height should be taken into consideration. If you choose the shortest stand, follow steps two to four on page 6. If you choose either of the taller stands, follow steps two to five on page 7.



Step Two

For Small Table Stand Assembly

Using the included Allen wrench, remove the bottom end cap of the speaker by unscrewing the single center screw on bottom.

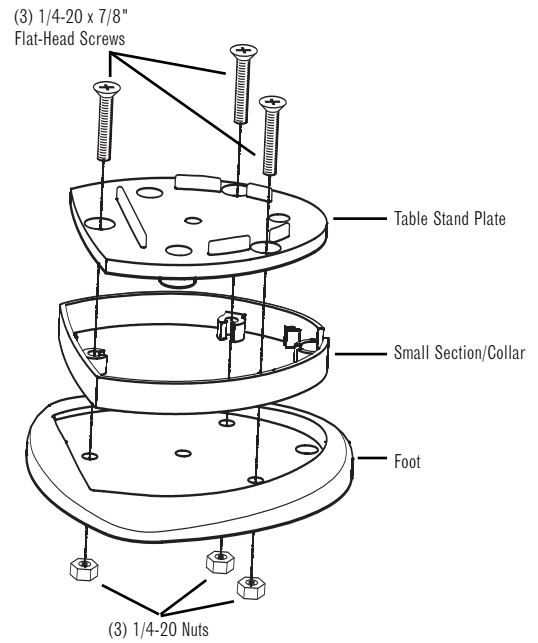


NOTE: The bottom is the side closest to the Infinity logo on the front grille and the speaker connections on the rear.

Step Three

For Small Table Stand Assembly

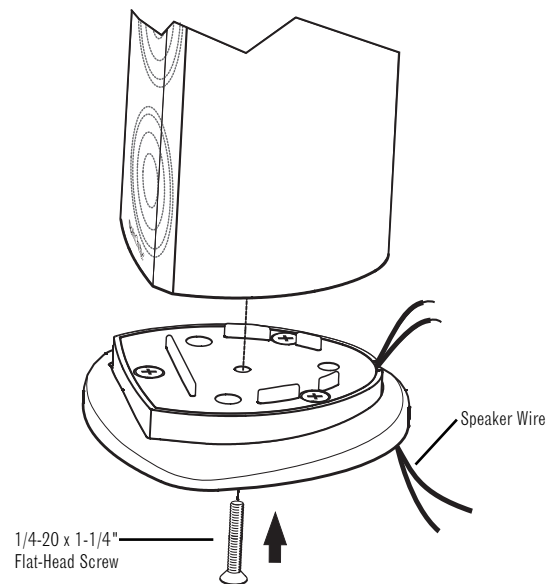
Assemble the table stand plate, the small section and the foot. Place three nuts (provided) in base of foot and secure them in place by three screws (provided) through the top of the table stand plate.



Step Four

For Small Table Stand Assembly

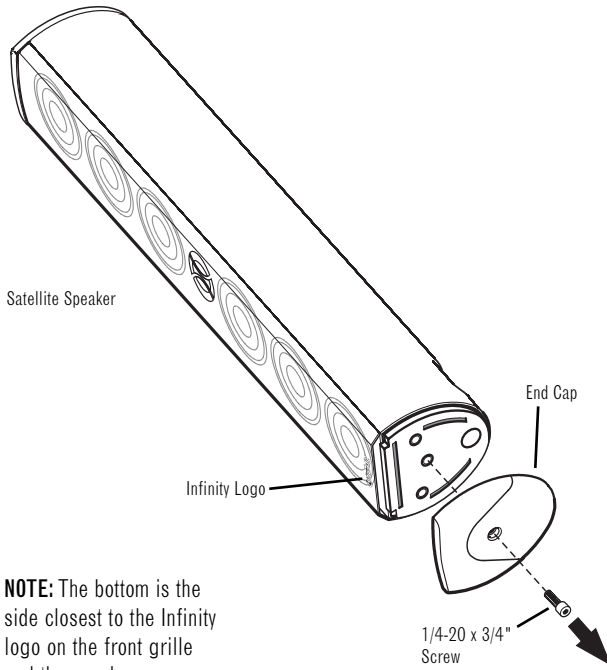
Run speaker wire through base, and screw foot assembly to speaker assembly.



Step Two

For Medium and Large Table Stand Assembly

Using the included Allen wrench, remove the bottom end cap of the speaker by unscrewing the single center screw on bottom.

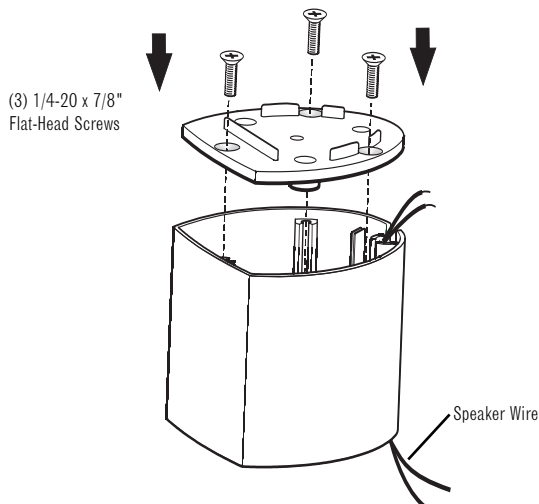


NOTE: The bottom is the side closest to the Infinity logo on the front grille and the speaker connections on the rear.

Step Three

For Medium and Large Table Stand Assembly

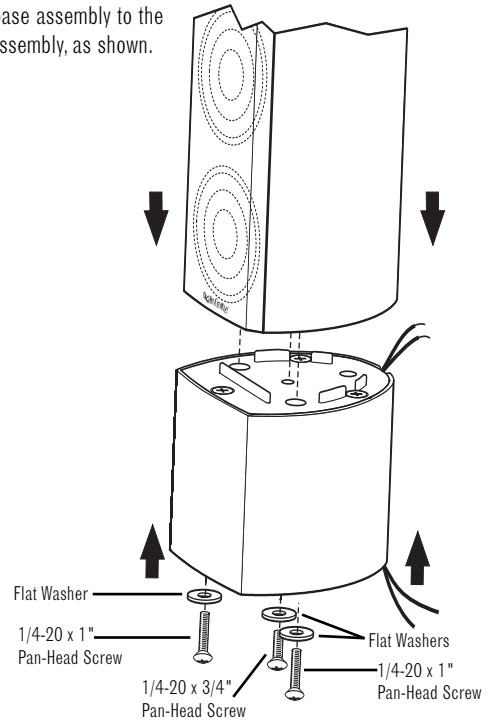
Run speaker wire through collar. Using three screws, attach table stand plate to the medium or large section as shown.



Step Four

For Medium and Large Table Stand Assembly

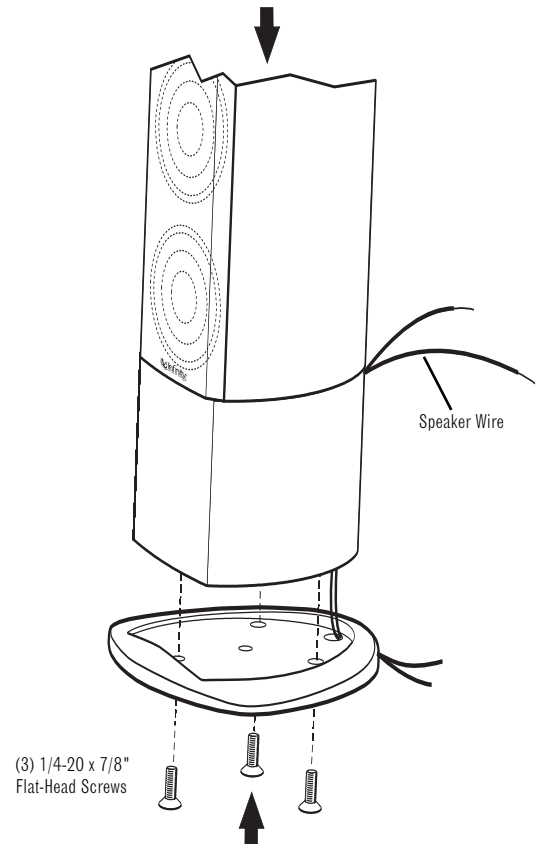
Use screw and washer to attach medium or large base assembly to the speaker assembly, as shown.



Step Five

For Medium and Large Table Stand Assembly

Run speaker wire through table stand plate. Use three screws (provided) to attach plate to bottom of base assembly.

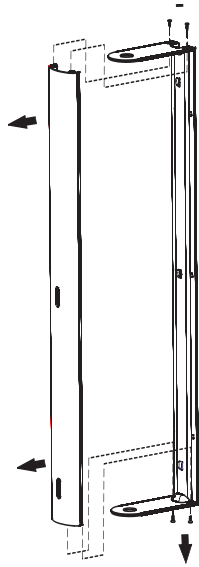


Wall-Mounting the SAT-4000 Using the Included Wall Bracket

The customer is responsible for proper selection and use of mounting hardware, and for correctly and safely wall-mounting the speakers.

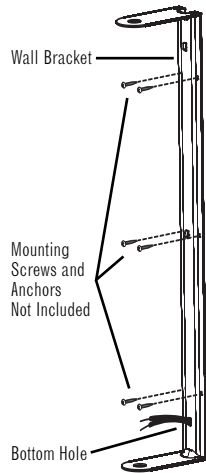
Step One

Remove the wall-bracket cover by removing the four wall bracket screws on the ends as shown.



Step Two

Run the speaker wire behind the wall bracket and out the hole at the bottom. After deciding where to place the satellite speaker, attach the wall bracket (in a vertical position) to the wall using the appropriate screws and anchors.



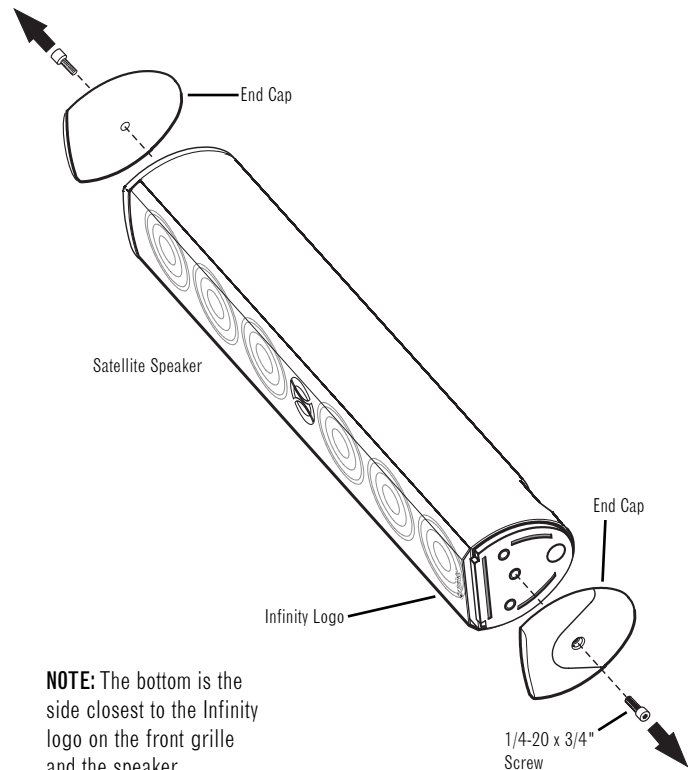
Step Three

Run the speaker wires out through the bottom hole of the wall bracket cover. Resecure in place as shown with four of the wall bracket screws.



Step Four

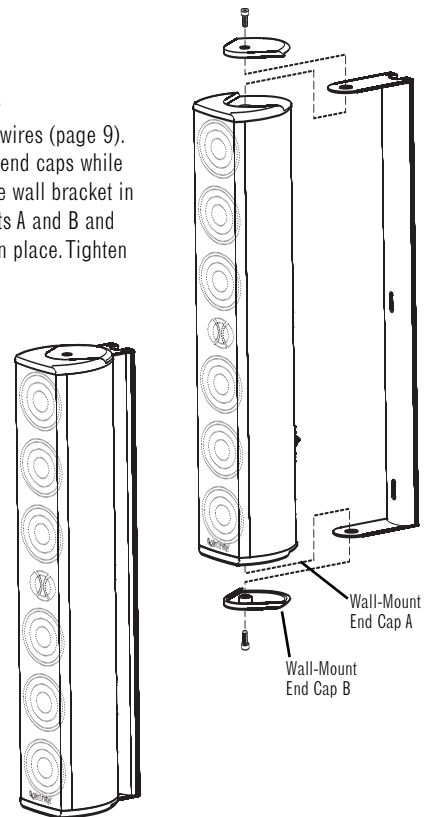
Using the included Allen wrench, remove the bottom end cap of the speaker by unscrewing the single center screw on bottom.



NOTE: The bottom is the side closest to the Infinity logo on the front grille and the speaker connections on the rear.

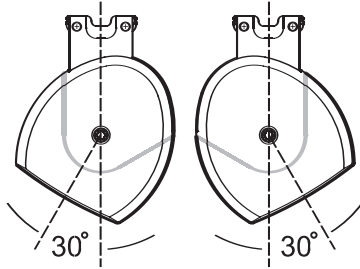
Step Five

Connect the wires (page 9). Replace the end caps while capturing the wall bracket in between parts A and B and securing it in place. Tighten until snug.



Step Six

The wall-bracket design allows for rotation of the speakers at angles up to 30 degrees of center. Position the speakers so they face toward the primary listening position, before fully tightening.



WIRING THE SPEAKER

After placing the speaker, you are ready to connect it to your system. First, turn off all audio-system power. Use high-quality speaker wire to make the connections. Consult the owner's manuals, included with your amplifier or receiver, for connection and operation procedures.

Surround Modes

When using the TSS-SAT4000 in a Dolby* Digital or DTS® home theater system, make sure the receiver's/processor's speaker modes are set to "Small."

Wiring and Polarity

The TSS-SAT4000 speaker has gold-plated terminals that can accept bare wire. To ensure proper polarity, connect each + terminal on the back of the amplifier or receiver to the respective + (red) terminal on each speaker, as shown in Figure 3. Connect the – (black) terminals in a similar way. See the owner's manuals that were included with your amplifier or receiver to confirm connection procedures.

Important!

Do not reverse polarities (i.e., + to – or – to +) when making connections. Doing so will degrade the imaging and bass response of the home theater system.

After correctly placing and wiring the TSS-SAT4000 and the rest of your speaker system, adjust the levels for all of the channels as recommended by the manufacturer of your receiver/processor.

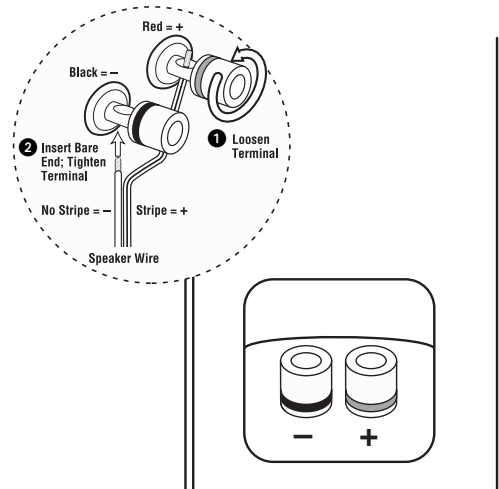


Figure 3. This example shows how to connect bare wires to the terminals. Banana plugs may also be inserted directly into the rear of the connector.

- 1 Loosen the terminals.
- 2 Insert bare ends; tighten terminals.

CARE OF YOUR SPEAKER SYSTEM

When needed, use a soft cloth to remove any fingerprints or to wipe off dust. Do not use any cleaning products or polished. Clean the grille by gentle vacuuming.

SPECIFICATIONS

TSS-SAT4000

Frequency Response	120Hz – 20kHz (±3dB)
Nominal Impedance	8 ohms
Sensitivity (2.83V @ 1m)	89dB
Recommended Amplifier Power Range	10 – 150 watts
Crossover Frequencies	1,000Hz, 3,800Hz; 24dB/octave
Low-Frequency Drivers	(4) 3-1/2" (89mm) MMD®, magnetically shielded
Mid-Frequency Drivers	(2) 3-1/2" (89mm) MMD, magnetically shielded
High-Frequency Driver	3/4" (19mm) MMD, magnetically shielded
Dimensions (H x W x D)	23" x 4-1/8" x 4-3/8" (584mm x 105mm x 111mm)
Weight	12.7 lb (5.8kg)

Infinity continually strives to update and improve existing products, as well as create new ones. The specifications and construction details in this and related Infinity publications are therefore subject to change without notice.

OPTIONAL ACCESSORIES

FMK-4000	Flush-Mount Kit for TSS-SAT4000
STAND-4000	Floor Stand for TSS-SAT4000

Declaration of Conformity



We, Harman Consumer International
2, route de Tours
72500 Chateau-du-Loir
France

declare in own responsibility that the products
described in this owner's manual are in compliance
with technical standards:

EN 61000-6-3:2001
EN 61000-6-1:2001

Robin Marshall
Harman Consumer International
Chateau-du-Loir, France 10/04

NOTES



TECHNOLOGY • PERFORMANCE • DESIGN

© 2004 Harman International Industries, Incorporated
Infinity Systems, 250 Crossways Park Drive, Woodbury, NY 11797 USA 516.674.4INF (USA only) www.infinitysystems.com

*Trademarks of Dolby Laboratories. DTS is a registered trademark of Digital Theater Systems, Inc.

Infinity and MMD are registered trademarks, and Total Solutions and Metal Matrix Diaphragm are trademarks, of Harman International Industries, Incorporated. Part No. 400-OMSAT 10/04

 A Harman International Company